

VON DUPRIN

22 SERIES EXIT DEVICE & TRIM

22 SERIES EXIT DEVICE

BHMA
GRADE 1



22E0/22E0-F

2227E0

- 22 rim exit device for all types of single and double doors with mullion
- UL listed for panic exit hardware
- Rim cylinder (not supplied) retracts latch
- Rated devices are ANSI A156.3, 2001, Grade 1
- Covers stock hollow metal doors with 161 cutouts
- Device ships ready for all functions; E0, DT, NL, TP, K, L
- Non-handed
- Device lengths: 3'
- Supplied with 299 dull black strike
- Dogging feature: Hex key dogging standard (non-fire rated)
- Deadlocking latch bolt 3/4" throw (22E0 & 22E0-F)

22E0

- Minimum door opening 1/2" stop: 26-1/2"
- Minimum door stile width: 3-13/16"

22E0 F

- Minimum door opening 1/2" stop: 26-1/2"
- Minimum door stile width: 4-3/8"
- Fire rated

2227E0

- Minimum door opening 1/2" stop: 25-7/8"
- Minimum door stile width: 4-3/8"
- Door height: 7'

DESCRIPTION	FINISH	PART #
Rim	Painted Aluminum	013741
Fire Rated Rim	Painted Aluminum	066362
Vertical Rod	Painted Aluminum	027629

22 SERIES TRIMS



210K

230L06

230TP

230NL

230TP BE

210K28

- Escutcheon plate size: 3" x 4-25/32" x 3/32"
- Includes cylinder

230L SP28

- Escutcheon plate size: 3" x 6-3/8" x 15/16"
- Cylinder not included

230TP/ 230NL SP28/ 230TP BE SP28:

- Pull centre: 5-1/2"
- Escutcheon plate size: 3" x 12-1/16" x 3/32"
- Cylinder not included

DESCRIPTION	TYPE	CYLINDER	PART #
Classroom			
Knob Trim	K	KIK	013733
Lever Trim, RHR	L	1-1/4" Mortise	060528
Thumbpiece with Cylinder	TP	1-1/4" Mortise	037249
Storeroom			
Night Latch	NL	Rim	027625
Passage			
Blank Escutcheon	TP	—	076517

44 SERIES EXIT DEVICES

BHMA
CERTIFIED
GRADE 1



44EO

44EO

- Non-handed economical exit device is supplied with single door 299 strike
- Device will fit 1-3/4" thick doors and is field sizeable from 2'6" to 4' wide doors
- Rim cylinder (not supplied) retracts latch
- Sprayed aluminum finish
- Supplied with 299 dull black strike
- Dogging feature: Hex key dogging standard
- Deadlocking latch bolt 3/4" throw
- cUL listed 266M panic hardware

44TP

- Like 44EO bar but supplied with gripset that is operated by rim cylinder, which locks or unlocks the 2 part thumbpiece
- Size of handle is 2" x 9-5/8"

Note: No replacement parts are available for the 44 series exit devices

DESCRIPTION	PART #
Exit Only	037245
Device with Thumbpiece Trim	037246

88 SERIES EXIT DEVICES & ACCESSORIES

BHMA
CERTIFIED
GRADE 1



88EO



8827



880NL



880TP

- Conforms to ANSI A156.3, 1989, Grade 1
- For all types of single and double doors, UL listed for accident hazard installations
- Covers stock hollow metal doors with 86 or 161 cutouts
- Standard cross bar length: 42", fits doors up to 48" (field sizeable)
- Door thickness: 1-3/4"
- Non-handed
- Hex key dogging
- Finish: Satin chrome with stainless steel cross bar

88EO

- Heavy duty rim mounted exit device
- 3/4" throw latch bolt
- Accepts rim cylinder for retraction of latch (not supplied)

88TP

- Same as 88EO with thumbpiece that can be locked and unlocked by use of rim cylinder (not supplied)

8827

- 5/8" throw latch bolt
- Fits door stiles as narrow as 3-1/2"

DESCRIPTION	PART #
Exit Only	013767
Rim Exit Device with Thumbpiece Trim	013773
Surface Mounted Vertical Rod Exit Device	013776

880TP

- Requires rim cylinder for operation (not supplied)
- Escutcheon size: 3" x 14-3/16" x 3/32"

050101/050102

- Converts any standard 88 series rim exit device

DESCRIPTION	FINISH	PART #
Key Retract Thumbpiece Trim	Satin Chrome	037250
Conversion Kit for 880NL	—	071655
Conversion Kit for 880TP	—	071657

VON DUPRIN

98/99 SERIES EXIT DEVICES & TRIM

98/99 SERIES EXIT DEVICES

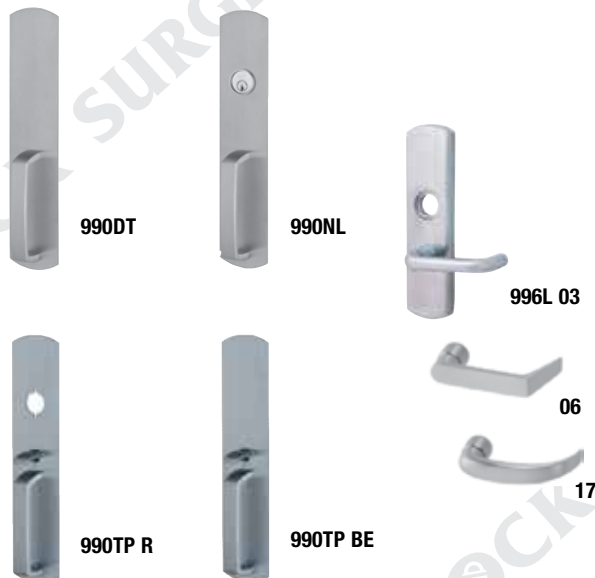
BHMA
GRADE 1



- Devices are equipped with a fluid dampener which decelerates the pushpad on its return stroke and eliminates most noise associated with exit device operations
- Rim devices are equipped with a deadlocking latchbolt
- ANSI A156.3, 2001, Grade 1, UL listed
- Non-handed
- Dogging feature: Hex key dogging standard (non fire rated)
- Devices are 3' long can be field sized for doors from 2'4" to 3' wide
- Rim mount devices supplied with 299 surface strike
- Supplied with mounting hardware for 1-3/4" to 2-1/4" thick doors
- Vertical devices are for 7' high doors with 5/8" deadlocking latches
- Centre case dimensions: 8" x 2-3/4" x 2-3/8"

FINISH	CASE	FIRE RATED	PART #
Rim Exit Device			
Aluminum	Smooth	No	061926
Satin Chrome	Smooth	Yes	028968
Satin Chrome	Smooth	No	028967
Aluminum	Grooved	No	029829
Satin Chrome	Grooved	No	013780
Aluminum	Grooved	Yes	079233
Satin Chrome	Smooth	No	103960
Surface Vertical Rod Exit Device			
Satin Chrome	Smooth	No	079248
Aluminum	Smooth	No	077709
Aluminum	Smooth	Yes	079254

98/99 SERIES EXIT DEVICE TRIMS



- Cylinder not included, pull centre: 5-1/2", all stocked in satin chrome
- 990DT 26D/ 990NL RV26D**
- Escutcheon plate size: 3" x 14-3/16" x 3/32"
- 990TP BE/ 990TP R26D/ 992L R/V 06 LHR 626/ 996L06 626**
- Escutcheon plate size: 2-3/4" x 10-3/4" x 27/32"
- 996L**
- 996L Breakaway™ trim is effective in areas where vandalism to door hardware is a problem, non-handed

DESCRIPTION	FUNCTION	CYLINDER	PART #
Dummy Trim	Dummy	None	060527
Night Latch	Storeroom	Rim	028971
Thumbpiece, Blank Escutcheon	Passage	None	079144
Thumbpiece	Classroom	1-1/4" Mortise	028973
03	Classroom	1-1/4" Mortise	104032
06	Classroom	1-1/4" Mortise	086441
17	Classroom	1-1/4" Mortise	104033

33A & 35A SERIES NARROW STILE EXIT DEVICE

BHMA
GRADE 1



33A

35A

1439

- Devices are equipped with a fluid dampener which decelerates the pushpad on its return stroke and eliminates most noise associated with exit device operations
- Equipped with a deadlocking latchbolt to provide additional security and improved performance
- For all types of single and double doors with mullion
- Non handed for left and right doors
- Dogging feature hex key dogging standard
- Fits door stiles as narrow as 1-3/4"
- Devices are 3' long, can be field sized for doors from 2'4" to 3' wide
- Rim mount devices supplied with 1439 roller strike
- Supplied with mounting hardware for 1-3/4" to 2-1/4" thick doors
- Center case dimensions: 8-3/16" x 2-13/32" x 1-9/16"
- ANSI A156.3, 1994, Grade I, UL listed

DESCRIPTION	FINISH	PART #
Grooved Mechanism Case	Satin Chrome	076493
Smooth Mechanism Case	Aluminum	079179
Rim Strike for 33A & 35A Series	—	106312

ELECTRIC LATCH RETRACTION KITS & ACCESSORIES



050070

050070

- Electric latch retraction (ELR) conversion kit for 33, 35, 98 & 98 series 3' exit devices
- Requires PS914 & 900 2RS power supply to function

050251 00

- Field installable request to exit (RX) switch signals access control systems when pushpad is depressed
- For 22, 33, 35, 98 & 99 devices

EPT10

- Electric power transfer conducts current from the frame to the edge of a swinging door
- Fully concealed when door is closed

- Ten 24 gauge wires; up to 1 amp @ 24VDC with a 16 Amps maximum surge

PS914

- Size: 14"H x 12"W x 4"D
- Output: 4A @ 12/24 VDC output, field selectable with jumper
- Universal 120-240 VAC input
- Designed with high inrush current for powering electrified panic devices
- Low voltage DC, regulated and filtered
- UL listed 294

900 2RS

- 2 relay EL panic device control board for use with the PS914 power supply
- Recommended for use with 914 when powering an EL device
- Required for use with 914 when powering 2 EL devices



050251 00



EPT10



PS914



900 2RS

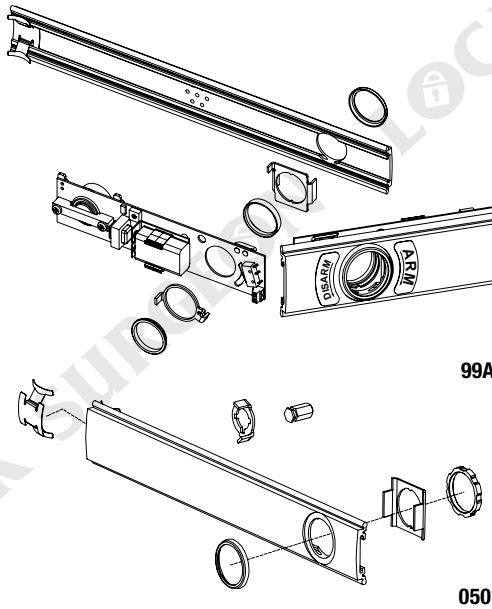
DESCRIPTION	PART #
3' EL Conversion Kit	084403
RX Switch Kit	067216
Power Transfer	030532
4 Amp Power Supply	103953
2 Relay EL Panic Device Control Board	103957

V

VON DUPRIN

EXIT DEVICE PARTS & ACCESSORIES

98/99 SERIES ACCESSORIES



- Retrofit alarm kit for 99 devices to deter unauthorized use of an opening
- ALK kit contains a 85 decibel internal horn: When the touch bar is depressed, the horn sounds to signal that the opening has been violated
- Alarm kit can be armed or disarmed by key
- Uses a standard 1-1/4" mortise cylinder with a straight cam (not supplied)
- Operates on one standard 9 volt alkaline battery
- Furnished with a RX-request to exit switch
- Includes "EMERGENCY EXIT ONLY, ALARM WILL SOUND" decal
- It is recommended to use the non stock ALK-LX kit when used in conjunction with surface mount vertical exit devices

050115

- Retrofit kit for cylinder dogging on 98/99 devices (except fire rate) to replace the standard hex key dogging unit
- Requires a 1-1/4" mortise cylinder with straight cam (not supplied)

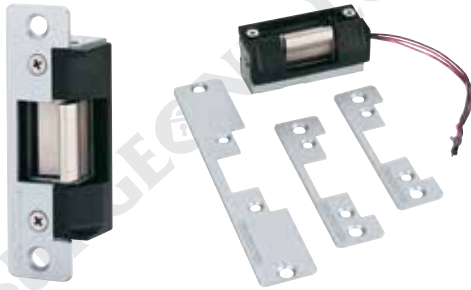
DESCRIPTION	SERIES	PART #
Alarm Kit	99	069014
Cylinder Dogging Kit	99 Except Fire Rated	029407
12" Extension Rod Kit	9827 & 9927	047626

EXIT DEVICE PARTS (ALL SERIES)



DESCRIPTION	SERIES	PART #
Top Latch Less Cover	9827, 9927	070621
Bottom Latch Less Cover	9827, 9927	070620
Fitting Set	5654/5754	106336
Fitting Set	1654/4954	106335
Tailpiece Guide Lead Kit	360, 990	070661
Vertical Rod Latch Case Mounting Bracket	2227, 33/3527, 98/9927	070638
Latch Case Cover Kit	9827, 9927	070635
Wedge	88	070697
Wedge Tite Adapter Screw	55, 88	013715
Lever Arm Axle Assembly	88	027733
Dogging Screw	88	037257
5/32" Hex Dogging Key	22, 98, 99	013749
7/32" Hex Dogging Key	44, 88	013744
Double Door Strike	44, 55, 88, 98, 99	013728
Standard Door Strike	44, 55, 88, 98, 99	027626
Truarc Retaining Ring	991, 992	073535
Cylinder Retainer Cup	210, 990	070674
Lift Spring	992	070678
End Cap	22	070651
Centre Case Cover	22	073059

5100 MULTI-FUNCTION SERIES

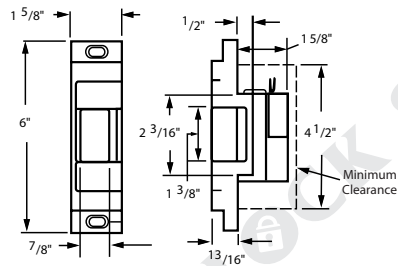


- Voltage: 12 or 24 VDC continuous duty
- Fail safe or fail secure, easily changed in less than thirty seconds
- Includes mounting tabs & neoprene filler plate
- 1300 lbs of holding strength
- Keeper depth of 1/2": Accommodates latches up to 5/8" throw
- Tested to over one million cycles
- Faceplates included: 4-7/8" ANSI round corner, 4-7/8" ANSI square corner, 7-15/16" long, round corner wood frame prep
- Adjustable keeper provides a snug fit and reduces pressure from the door on the strike

PART #

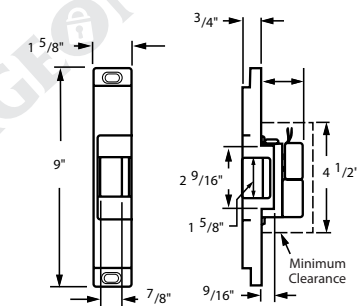
074901

6100 & 6200 HEAVY DUTY STRIKES



6111

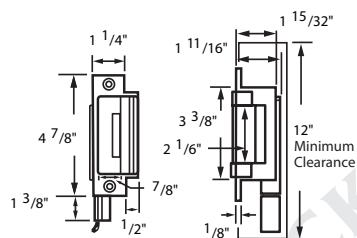
- Stainless steel construction
- Accepts 3/4" throw latchbolt
- Non-handed
- Fail secure
- Horizontally adjustable
- Plug connectors



6112

- 6111**
- For use with rim exit devices on single doors or double doors with mullion applications
- For hollow metal, aluminum or wood

- 6112**
- For use with rim exit devices on single door applications
- For hollow metal, aluminum or wood



6211

- 6211**
- Electric strike for use with mortise locks without deadbolt or cylindrical locks on single door, hollow metal frames

FOR	VOLTAGE	PART #
Rim Exit Devices	12VDC Fail Secure	062202
Rim Exit Devices	24VDC Fail Secure	030163
Rim Exit Devices	12VDC Fail Secure	037252
Rim Exit Devices	24VDC Fail Secure	030192
Cylindrical or Mortise	24VDC Fail Secure	030193

V